

## Frozen Frozen granita dispenser with 2 bowls, electronic control, UV light

ITEM # \_\_\_\_\_

MODEL # \_\_\_\_\_

NAME # \_\_\_\_\_

SIS # \_\_\_\_\_

AIA # \_\_\_\_\_


**562536 (IPRO2EUVR290)**

 Frozen Granita Dispenser  
 with 2X11 l insulated bowls,  
 UV light, electronic control,  
 R290

### Short Form Specification

Item No. \_\_\_\_\_

Frozen granita dispenser with 2 bowls; the ITANK™ Technology prevents ice accumulation on the outer side of the bowl and the bowl shape allows a natural mixing action to ensure an optimum consistency of the product. Customizable lid merchandiser and back graphic. Exclusive nUV LED system for bowl sanitation. Electronic control system and touch screen keypad. Sliding drip tray.

### Main Features

- Ideal for the production of slush.
- The ITANK™ Technology prevents ice accumulation on the outer side of the bowl, reducing condensation and increasing the cooling power of the machine.
- Bowl shape allows a natural mixing action to ensure an optimum consistency of the product.
- Customizable lid merchandiser and back graphic.
- Daily and weekly machine programming functionality.
- The insulated tank guarantees higher cooling efficiency and lower effect of the external temperature on product's preparation and maintenance time reducing condense and draining; it is the best solution in hot climate conditions.
- Exclusive nUV LED system for bowl sanitation.

### Construction

- Electronic control system and touch screen keypad.
- Sliding drip tray.

### Sustainability

- When the product reaches the right consistency, an automatic stand-by mode activates in order to save energy and reduce CO2 emissions.



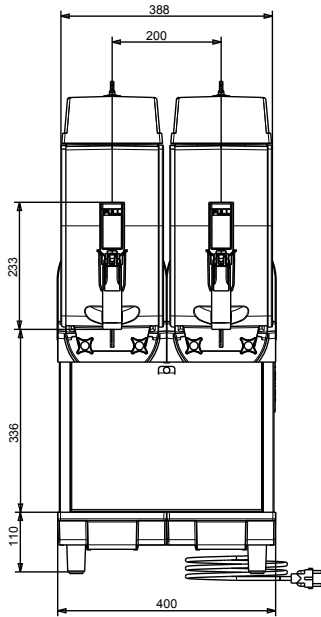
APPROVAL: \_\_\_\_\_



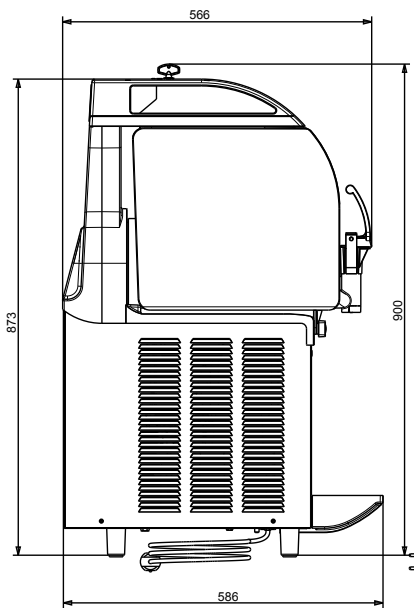
**Electrolux**  
PROFESSIONAL

# Frozen Frozen granita dispenser with 2 bowls, electronic control, UV light

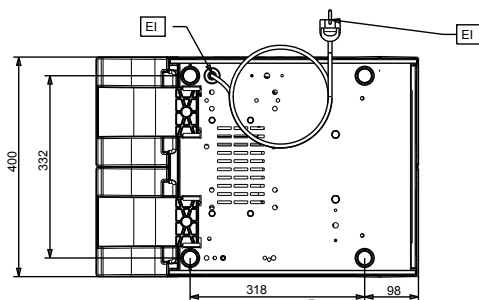
Front



Side



Top



Frozen  
Frozen granita dispenser with 2 bowls, electronic control, UV light

The company reserves the right to make modifications to the products without prior notice. All information correct at time of printing.



**Electrolux**  
PROFESSIONAL

## Frozen Frozen granita dispenser with 2 bowls, electronic control, UV light

### Electric

Supply voltage: 220-240 V/1 ph/50 Hz  
Electrical power, max: 0.76 kW

### Key Information:

Net weight: 60 kg

### Sustainability

Refrigerant type: R290  
Refrigerant weight (unit 1): 106 g



Frozen  
Frozen granita dispenser with 2 bowls, electronic control, UV light  
The company reserves the right to make modifications to the products  
without prior notice. All information correct at time of printing.

2026.04.04